
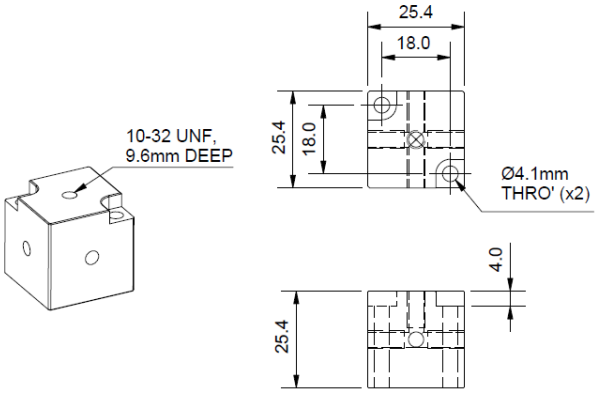

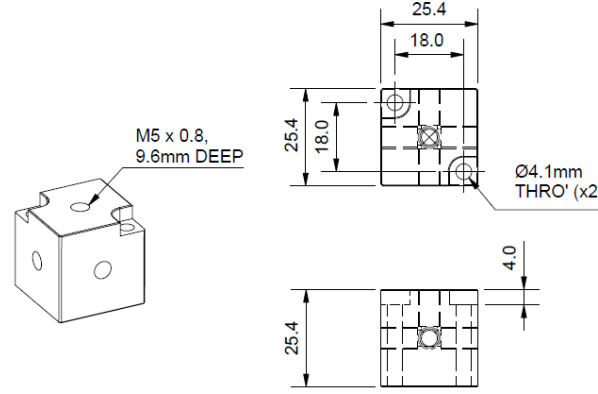


Fixing Blocks

Part No.	Connections	Material	Dimensions
 <p>FB1</p>	10-32 UNF tapped hole on five faces	Stainless Steel	
 <p>FB2</p>	5x M5 tapped hole on five faces	Stainless Steel	

Fixing blocks are supplied with 2x M4 mounting bolts

All drawing measurements in mm

DJJB INSTRUMENTS UK LIMITED

e: sales@djbinstruments.com

t: +44 (0) 1638 712288

w: djbinstruments.com



SPECIFICATIONS MAY BE SUBJECT TO CHANGE WITHOUT PRIOR NOTICE.