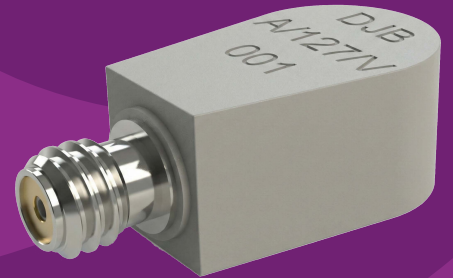


A/127/V.XX

Mono-axial IEPE accelerometer

IEPE, Side Entry M3.5 Connector, Adhesive Mount



KEY FEATURES

- ✓ Titanium case
- ✓ 1.4 grams
- ✓ 5 standard sensitivity options; 1mV/g to 100mV/g

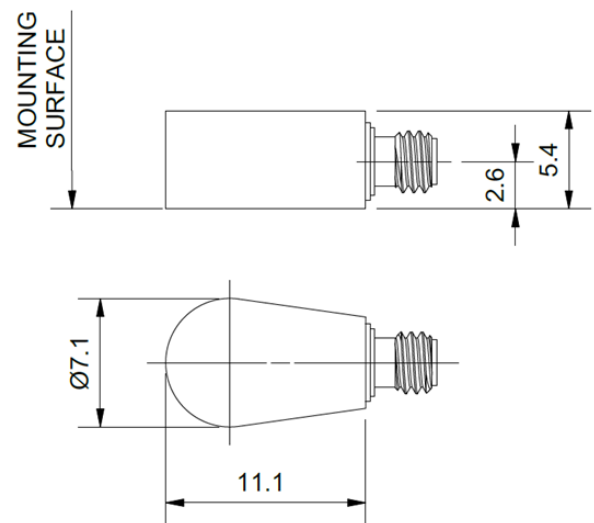
DEVICE OPTIONS

- ✓ A/127/V.XXET - Extended temperature variant to 165°C
- ✓ A/127/V.XXT - Transducer Electronic Datasheet (TEDS)
- ✓ Extended low & high frequency calibration
- ✓ Custom sensitivities available on request

TYPICAL CABLE OPTIONS

- ✓ KP/BC1/S11/30 - M3.5 to BNC, FEP jacket, co-axial, 3 meters
- ✓ KP/M1/S11/30 - M3.5 to Microdot Plug, FEP jacket, co-axial, 3 meters
- ✓ KP/MS1/S11/30 - M3.5 to Microdot Socket, FEP jacket co-axial, 3 meters
- ✓ Other options and lengths available

A/127/V ACCELEROMETER DIMENSIONS



All measurements in millimeters (mm)

TECHNICAL SPECIFICATIONS

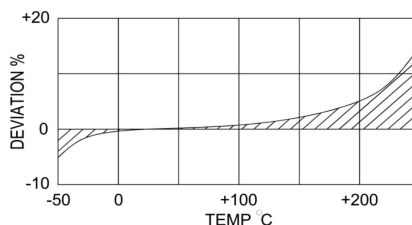
| Performance | A/127/V.1 | A/127/V.5 | A/127/V.10 | A/127/V.30 | A/127/V.100 |
|--|--|----------------|----------------|----------------|--------------|
| Voltage Sensitivity ($\pm 10\%$) | 1mV/g | 5mV/g | 10mV/g | 30mV/g | 100mV/g |
| Measurement Range | $\pm 5000g$ | $\pm 1000g$ | $\pm 500g$ | $\pm 160g$ | $\pm 50g$ |
| Frequency Response ($\pm 5\%$) | 1Hz to 11kHz | 1Hz to 11kHz | 1Hz to 11kHz | 1Hz to 11kHz | 2Hz to 11kHz |
| Frequency Response ($\pm 10\%$) | 0.7Hz to 13kHz | 0.7Hz to 13kHz | 0.7Hz to 13kHz | 0.7Hz to 13kHz | 1Hz to 13kHz |
| Resonant Frequency | $\geq 50kHz$ | | | | |
| Cross Axis Error | $\leq 5\%$ | | | | |
| Maximum Shock Limit | 5000g | | | | |
| Non-linearity (% FS) | $\leq 1\%$ | | | | |
| Base Strain Sensitivity | $\leq 0.001g/\mu\epsilon$ | | | | |
| Broadband Resolution | 0.002grms (100mV/g) | | | | |
| Electrical Characteristics | | | | | |
| Supply Voltage | 15V to 35V DC | | | | |
| Supply Current | 2mA to 20mA (max 2mA above 125°C) | | | | |
| Bias Voltage | 10V to 14V DC | | | | |
| Output Impedance | $\leq 100\Omega$ | | | | |
| Base Isolation Impedance | N/A | | | | |
| Settling Time Constant | <5 seconds | | | | |
| Physical | | | | | |
| Case Material | Titanium | | | | |
| Connector | Side Entry, M3.5 | | | | |
| Mounting | Adhesive | | | | |
| Recommended Mounting Torque | N/A | | | | |
| Weight | 1.4 grams | | | | |
| Size (mm) | 11.1 x 7.1 x 5.4mm | | | | |
| (Inches) | 0.44 x 0.28 x 0.21" | | | | |
| Environmental | | | | | |
| Temperature Range (°C) | -50°C to +125°C (Extended temperature option to 165°C) | | | | |
| (°F) | -58°F to +257°F (Extended Temperature option to 329°F) | | | | |
| Total Mass Loss (TML) | <0.1% | | | | |

TYPICAL FREQUENCY RESPONSE

TYPICAL THERMAL RESPONSE

TYPICAL SPECTRAL NOISE (100mV/g)

Response shows performance of piezoelectric sensing element, including beyond the stated operating limits.



1 Hz - 393 $\mu g/\sqrt{Hz}$
 10 Hz - 174 $\mu g/\sqrt{Hz}$
 100 Hz - 32 $\mu g/\sqrt{Hz}$
 1 kHz - 12 $\mu g/\sqrt{Hz}$
 10 kHz - 5 $\mu g/\sqrt{Hz}$

DJB INSTRUMENTS UK LIMITED

e: sales@djbinstruments.com

t: +44 (0) 1638 712288

w: djbinstruments.com



ISO 9001 - 00025363



SPECIFICATIONS MAY BE SUBJECT TO CHANGE WITHOUT PRIOR NOTICE.

ALL DEVICES CALIBRATED IN ACCORDANCE WITH BS ISO 16063-21:2003. ALL DEVICE CALIBRATIONS ARE UKAS TRACEABLE.