



## IS/07

Isolated Mounting Stud – 13mm A/F  
5-40UNC thread / 10/32UNF thread

**DJB Part Number:** IS/07

**Description:** The IS/07 is an isolating mounting stud which belongs to the IS range of studs. All the studs in the IS range offer complete electrical isolation between the accelerometer and the mounting surface of the test item.

The IS/07 is often used in vibration shaker testing where ground loops are a common issue.

Manufactured by DJB in the UK.

**Recommended torque setting:** 1Nm

**Temperature Range:** -70°C to +200°C

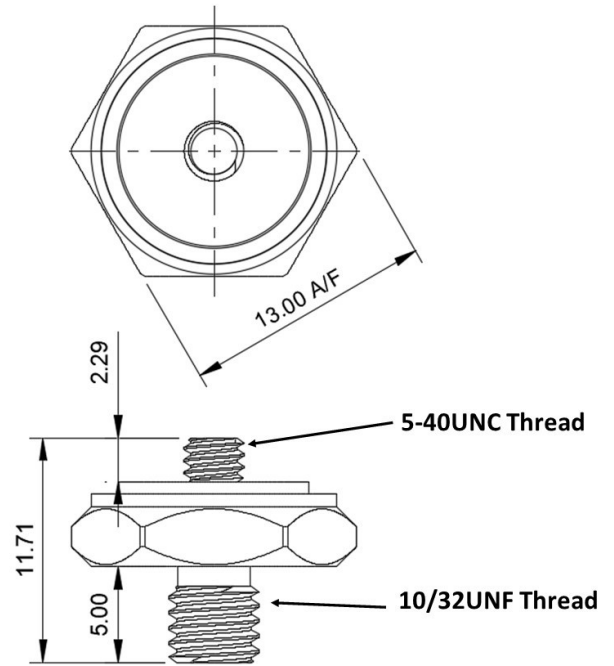
**Material List:**

**Body:** Stainless Steel 303S31

High temperature epoxy resin

**Insulator:** PTFE

**Dimensions (mm)**



**Please note:** The facts and figures contained herein are carefully compiled to the best of our knowledge intended for general information purposes only, specifications are subject to change without prior notification.

**DJB Instruments (UK) Ltd**

Finchley Avenue,  
Mildenhall, Suffolk IP28 7BG

**Tel** +44 (0)1638 712 288  
**Email** sales@djbinstruments.com  
**Web** www.djbinstruments.com

DJB: Iss 1.2020

A UK company with UK-based manufacturing, assembly and calibration in-house.



ISO 9001 – 00025363