



## A/22 Piezoelectric Accelerometer

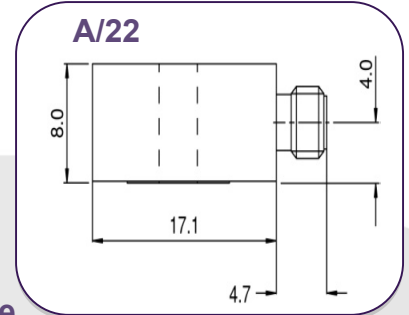
26pC/g nom.      12gm      250°C Max Temp

The Konic shear® sensing element of the A/22 incorporates a mechanically isolated central sleeve that comprises part of the transducer casing, thus providing an annular through hole for attachment.

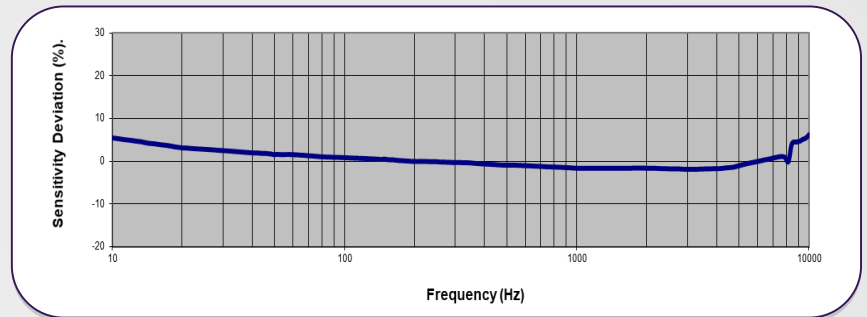
The feature allows 360° connector orientations and minimizes height, thus facilitating installation. In addition the all welded construction and total absence of epoxies maximizes reliability and temperature range.

The A/22 provides an output comparable that of the A/20, with the advantage of 50% reduced height and total freedom of cable orientation.

Insulated mounting kit, SI/22 provides electrical isolation, minimising common mode interference

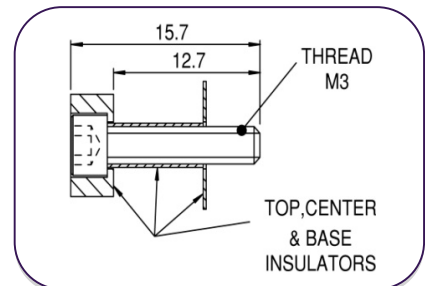


### Typical Frequency Response

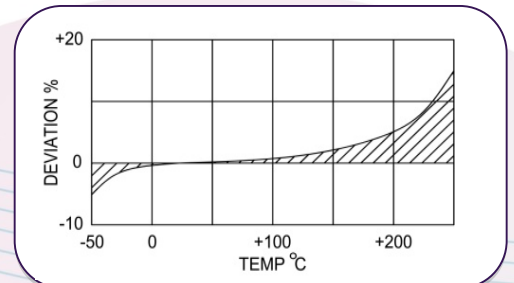


	Metric	Imperial
Charge sensitivity nom.	2.66pC/(m/s <sup>2</sup> )	26pC/g
Resonant Frequency	≥20kHz	
Typical Frequency Response	±5%      1Hz – 9kHz ±10%      0.7Hz – 10kHz	
Capacitance nom.	1600 pF	
Cross Axis error	≤5%	
Temperature Range	-55/+250°C	-67/+482°F
Charge sensitivity deviation (20°C/68°F)	-5% @ -55°C +15% @ +250°C	-5% @ -67°F +15% @ +482°F
Pyro-electric output	0.2g/°C	
Pyro-electric corner frequency	0.002Hz	
Base Strain	0.01g/μ strain	
Shock limit	49033m/s <sup>2</sup>	5000g
Case Material	s/steel 303 S31	
Mounting	M3.5 Through hole, SI/22	
Connector	10-32 UNF Microdot	
Weight	12gm	0.42oz
Case seal	Welded	
Size	17.2 x Ø16 x 8.1mm	0.68 x Ø0.63 x 0.32in

### SI/22 Mounting Kit



### Temperature



Please note: For information and reference only. Data should not be used as pass / fail criteria for calibration purposes.

**DJB Instruments (UK) Ltd**

Finchley Avenue,  
Mildenhall, Suffolk IP28 7BG

Tel +44 (0)1638 712 288  
Email sales@djbinstruments.com  
Web www.djbinstruments.com

DJB Iss.4 2020

A UK company with UK-based manufacturing, assembly and calibration in-house.



ISO 9001 – 00025363