



A/20 Piezoelectric Accelerometer

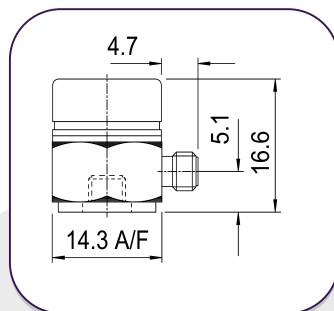
30pC/g nom. 12.5 gm 250°C Max

General purpose accelerometers well suited to a wide range of vibration analysis and shaker testing applications, particularly those requiring a higher operating temperature.

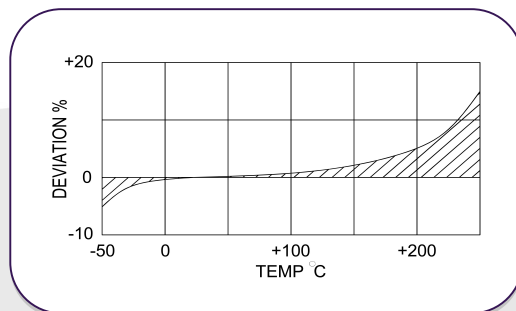
Using the unique DJB Konic Shear® piezoelectric ceramic sensing element for superior performance and reduced long term cross axis error. The A/20 is a side entry, tapped base model with an all welded titanium construction. The internal wiring connections are also welded for a robust sensor suitable for many harsh environments.

Relative freedom from strain induced error reduces low frequency measurement uncertainty.

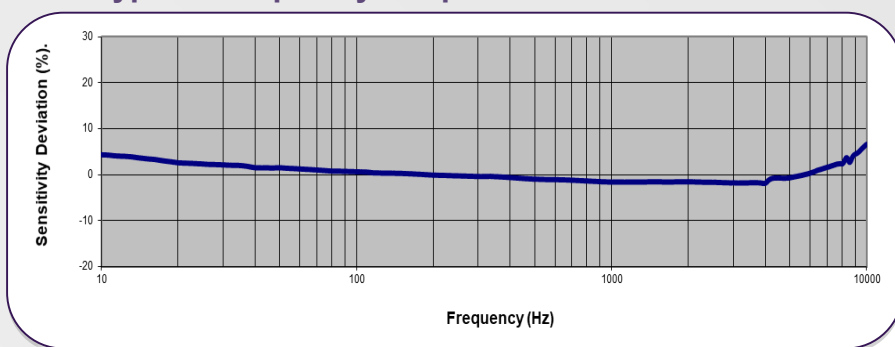
A/20



Temperature Response



Typical Frequency Response



	Metric	Imperial
Charge sensitivity nom.	3.06pC/(m/s ²)	30pC/g
Resonant Frequency	≥28 kHz	
Typical Frequency Response	±5% 1Hz – 8kHz ±10% 0.7Hz – 9kHz	
Cross Axis error	≤5%	
Capacitance nom.	1400 pF	
Temperature range	(opt. -71) -55/ +250°C	(opt. -95.8) -67/ +482°F
Charge sensitivity deviation (20°C / 68°F)	-10% @ -71°C -5% @ -55°C +15% @ +250°C	-10% @ -95.8°F -5% @ -67°F +15% @ +482°F
Pyro-electric output	0.2 g/°C	
Pyro-electric corner frequency	0.002Hz	
Base strain sensitivity	<0.01a/u strain	
Maximum Shock	49033m/s ²	5000g
Case Material	Titanium Grade 2	
Mounting	Tapped Base, 10-32 UNF, 4mm Deep	Tapped Base, 10-32 UNF, 0.16in Deep
Weight	12.5gm	0.44oz
Case seal	Welded	
Size	14.3 (A/F) x 16.6mm	0.56" (A/F) x 0.65in
Connector	Side entry 10-32 UNF Microdot	

Options:

- A/20 – Side entry
- A/20/T – Top entry
- A/20/TC – Top entry, Hermetic TNC Connector

Please note: For information and reference only. Date should not be used as pass / fail criteria for calibration purposes.

DJB Instruments (UK) Ltd

Finchley Avenue,
Mildenhall, Suffolk IP28 7BG

Tel +44 (0)1638 712 288
Email sales@djbinstruments.com
Web www.djbinstruments.com

DJB Iss.4 2020

A UK company with UK-based manufacturing, assembly and calibration in-house.



ISO 9001 – 00025363