



## A/24/TE Miniature Piezoelectric Accelerometer

5pC/g nom.

2gm

250°C Max. temp

The A/24/TE is a miniature adhesive mount PE charge output accelerometer, offering a small size and low mass of just 2grams. Using DJB's unique Konic shear® ceramic design offering superior cross axis control and performance.

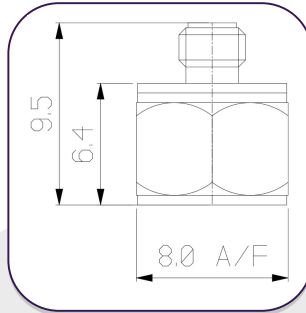
The low mass of the A/24 range minimizes mass loading effects in a wide range of vibration responses and structural testing applications.

Top entry miniature microdot KP connector

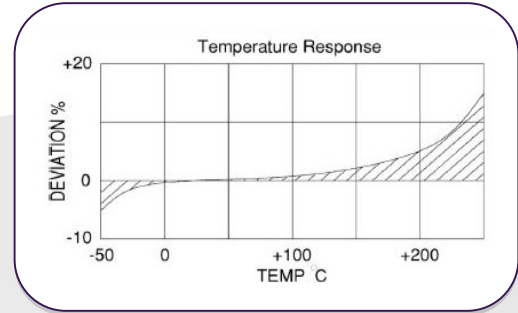
### Options:

- A/24/E - Side Entry, -55/+250°C
- A/24/E-1 – isolating base, -55/+200°C
- A/24/TE – Top entry, -55/+250°C
- A/24/TE-1 – Isolating base, -55/+200°C
- A/24/TS – Top entry stud, -55/+250°C

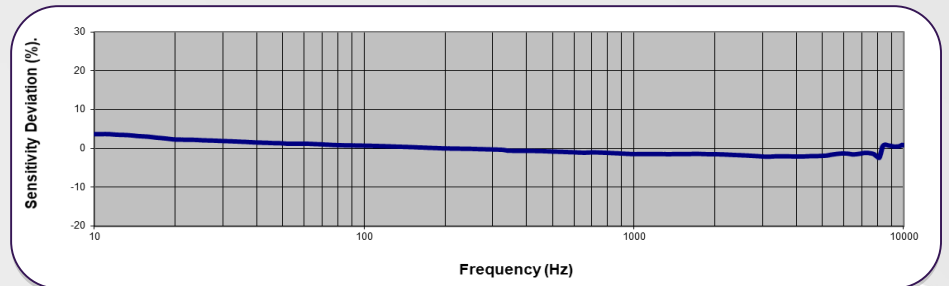
### A/24/TE



### Temperature Response



### Typical Frequency Response



	Metric	Imperial
Charge sensitivity nom.	0.50pC/(m/s <sup>2</sup> )	5pC/g
Resonant Frequency	≥55 kHz	
Typical Frequency Response	±5% ±10%	1Hz – 11kHz 0.7Hz – 13kHz
Capacitance nom.	750pF	
Cross Axis error	5% max	
Temperature Range	-55/250°C	-67/482°F
Charge sensitivity deviation (20°C/68°F)	-5% @ -55°C +15% @ 250°C	-5% @ -67°F +15% @ 482°F
Base strain sensitivity	0.001g/μ strain	
Maximum shock g level, rise time μs	98100m/s <sup>2</sup> , 30	10000g, 30
Pyro-electric output	0.15g/°C	
Pyro-electric corner frequency	0.005Hz	
Case Material	Titanium Grade 2	
Mounting	Adhesive	
Weight	2gm	0.07oz
Case Seal	Welded	
Size	8 (A/F) x 9.5mm	0.31 (A/F) x 0.37in
Connector	M3.5 KP connector (3.5mm)	

Please note: For information and reference only. Data should not be used as pass / fail criteria for calibration purposes.

### DJB Instruments (UK) Ltd

Finchley Avenue,  
Mildenhall, Suffolk IP28 7BG

A UK company with UK-based manufacturing, assembly and calibration in-house.

Tel +44 (0)1638 712 288  
Email sales@djbstruments.com  
Web www.djbstruments.com

DJB Iss.3.2020



ISO 9001 – 00025363