



## A/600/T

### Micro g Piezoelectric Accelerometer

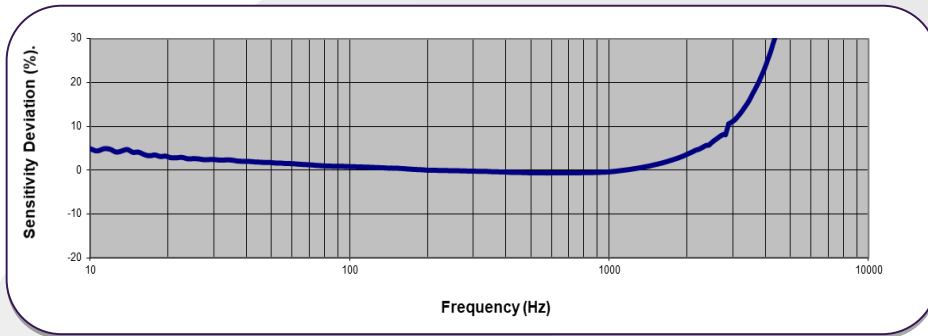
1.2 nC/g nom.    114.5gm    250°C max. temp

Ultra high output, multiple shear plate vibration transducer. Shear plate construction provides near total isolation from mechanical inputs other than acceleration, thus safe guarding measurement integrity in applications where vibration is accompanied by high dynamic strain levels. Generalizing, these conditions are prevalent where modal frequencies are low, and are thus associated with vibration surveys of large structures. Transducers exhibiting significant strain response may operate more akin to strain gauges at low frequency excitation and their use is to be discouraged.

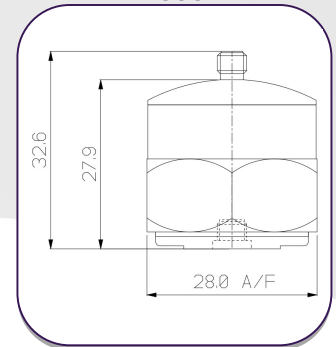
A number of parallel shear plates equivalent in total thickness to single plate of charge sensitivity Q and capacitance C, generates charge nQ. Clearly taken to the limit, noise degradation overrides signal increase, hence these products are largely a compromise between signal/noise and mass/size.

**Options:** A/600 – side entry connector : A/600/T – top entry connector

### Typical Frequency Response

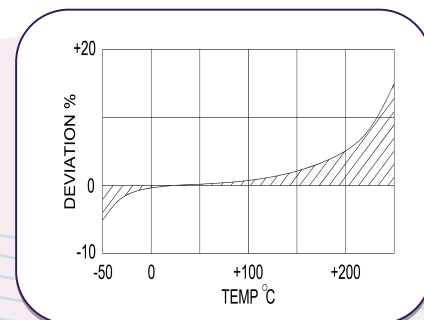


### A/600/T



	Metric	Imperial
Charge Sensitivity nom.	0.12nC/(m/s <sup>2</sup> )	1.2nC/q(m/s <sup>2</sup> )
Resonant frequency	8 kHz	
Typical Frequency Response	±5% ±10%	0.5Hz – 2kHz 0.3Hz – 3kHz
Cross axis error	≤5%	
Capacitance nom.	7.5 nF	
Temperature range	-50/+250°C	-58/+482°F
Charge Sensitivity Deviation (20°C / 68°F)	-5% @ -50°C +15% @ +250°C	-5% @ -58°F +15% @ +482°F
Base strain sensitivity	0.0001g/μ strain	
Pyro-electric output	0.2 q/°C	
Pyro-electric corner frequency	0.001 Hz	
Max continuous accn. g sine	6865m/s <sup>2</sup>	700g
Case material	Stainless steel 303 S31	
Mounting	Base tapped 10/32 UNF x 4mm deep	Base tapped 10/32 UNF x 0.16in deep
Weight	114.5gm	4.03oz
Case seal	Welded	
Size	28(AF) x 32.6mm	1.10(AF) x 1.28in
Connector	Top entry 10-32 UNF Microdot	

### Temperature Response



**Please note: For information and reference only. Data should not be used as pass / fail criteria for calibration purposes.**

### DJB Instruments (UK) Ltd

Finchley Avenue,  
Mildenhall, Suffolk IP28 7BG

A UK company with UK-based manufacturing, assembly and calibration in-house.

Tel +44 (0)1638 712 288  
Email sales@djbinstruments.com  
Web www.djbinstruments.com

DJB Iss.4 2020



ISO 9001 – 00025363