

Model BI-5015A



Proven Condition Monitoring Solutions

100mV/g Extended Temperature Accelerometer

- Extended temperature operation (+150 Deg C)
- +/- 80g dynamic range
- Connector or integral cable options
- Shear mode design reduces sensitivity to base strain and thermal transients
- Ground isolated



Actual Size

Performance

Sensitivity (+/-10%)	100mV/g
Acceleration range	±80g peak
Frequency response (+/-10%)	2 - 6000Hz
Frequency response (+/-3dB)	1 - 10000Hz

Electrical

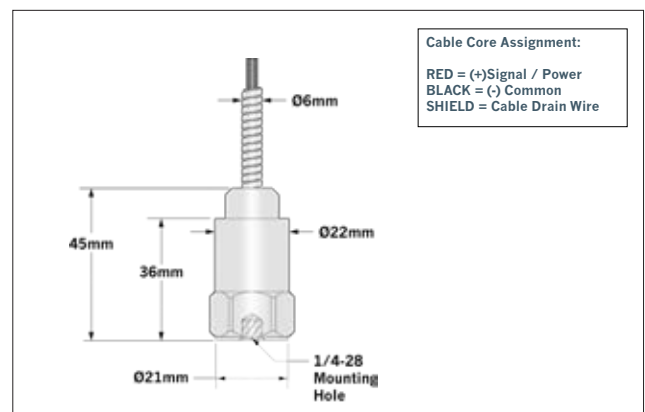
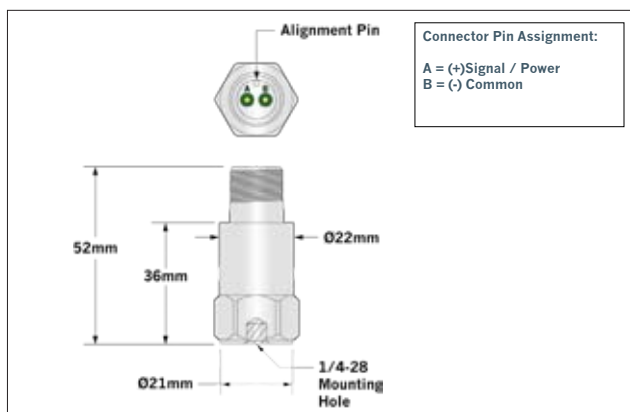
Voltage source	18 - 30VDC
Constant current source	2 - 10mA
Spectral noise @ 10Hz	8µg/√Hz
Spectral noise @ 100Hz	0.82µg/√Hz
Spectral noise @ 1000Hz	0.3µg/√Hz
Output impedance	<100 ohm
Bias output voltage	10 - 14VDC
Grounding	Case isolated Internally screened
Settling time	<2.5 seconds

Environmental

Temperature range	-50 to +150 Deg C
Shock limit	5000g peak
Sealing	Welded, Hermetic

Physical

Sensing element	PZT ceramic
Sensing structure	Shear mode
Weight	90 grams
Case Material	316L stainless steel
Mounting	1/4-28 tapped hole
Mounting torque	3 to 6.5 Nm
Mounting hardware (metric)	M6 x 1 adaptor stud
Mounting hardware (imperial)	1/4-28 adaptor stud
Output connector	2 pin, MIL-C-5015 style
International compliance	CE



Ordering Information

Interface option
 0 = Connector
 1 = Integral cable
 2 = Armoured cable

Mounting stud
 0 = Metric (M6)
 1 = Imperial (1/4-28)

BI-5015A-□□-□□□□□□□□

Cable length
 Metric (meters) = xxxM
 Imperial (feet) = xxxF

Cable termination
 00 = No termination
 01 = BNC Plug
 02 = BNC Jack (Skt)
 03 = MIL-C-5015 termination